

MICRO SWITCH
a Honeywell Division

FED. MFG. CODE 91929

SWITCH - ENCLOSED

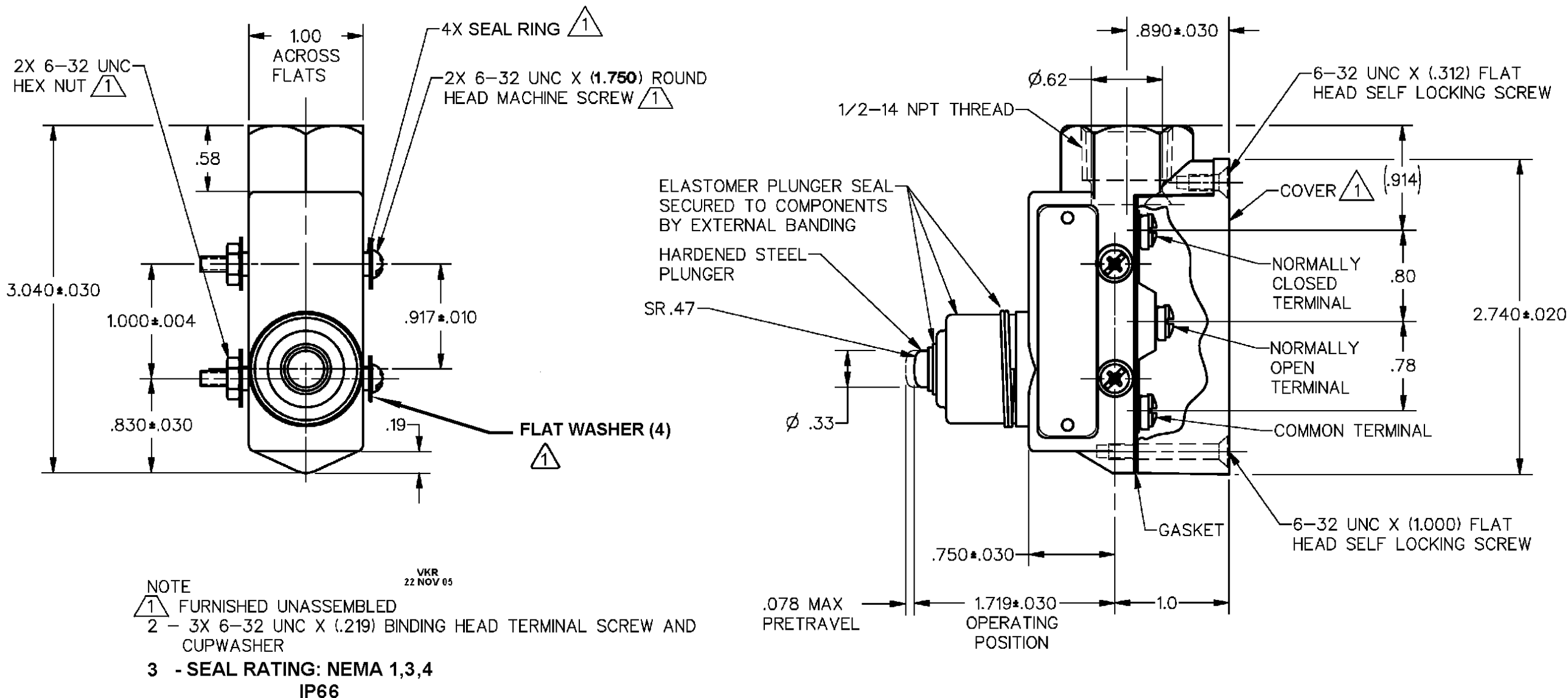
CATALOG LISTING
BZE6-2RN

CATALOG LISTING
BZE6-2RN

ISSUE
M
15

REVISIONS
A 00-73736
S A V 5 OCT 92
B 00-73655
S M 21 APR 93
C 00-77179A
K D R 17 FEB 94
D 0017057
V K R 22 NOV 05
E 0023923
R K P 21 AUG 06
F 0025947
K N S 30 OCT 06
G 0033014
B S 29 AUG 07

REPLACES
29AUG07
PSR
21AUG06
CHECK
DVM
22 NOV 05
CHECK
BP
5 OCT 92
CHECK
S A V
DRAWN
RASTER



THIS DRAWING COVERS A PROPRIETARY ITEM AND IS THE PROPERTY OF MICRO SWITCH, A DIVISION OF HONEYWELL. THIS DRAWING IS NOT TO BE COPIED OR USED WITHOUT THE APPROVAL OF MICRO SWITCH

THIRD ANGLE PROJECTION
SCALE FULL
DO NOT SCALE PRINT

CHARACTERISTICS	ELECTRICAL DATA
OPERATING FORCE ———— 9-24 OZ	CONTACT ARRANGEMENT S P D T
RELEASE FORCE ———— 4 OZ MIN	L74 15A 125, 250 OR 480 VAC 2A 600 VAC
DIFFERENTIAL TRAVEL ——— .002 MAX	1/8HP 125 VAC, 1/4HP 250 VAC
OVERTRAVEL ———— .219 MIN	1/2A 125 VDC, 1/4A 250 VDC
BASIC SWITCH REPLACEMENT ——— BZ-2RQ77	CE 1.5A, 240 Vac

WEIGHT .56 LB

UNLESS OTHERWISE SPECIFIED TOLERANCES ARE
ONE PLACE (.0) ±.030
TWO PLACE (.00) ±.015
THREE PLACE (.000) ±.005
ANGLES ±

ANSI Y14.5M-1982 APPLIES